

### Description:

Unité de secours pour contrôleur led 3h max 45Vdc



Unité de secours 3h 3,6V 3,5Ah max 45V sortie pour panneau LED ou downlight, non-permanent-permanent. Commutable. Garantie 2 ans, 1 an sur les batteries.

#### Caractéristiques techniques

Référence	ECULED212-3H
EAN code	5420076207410
ETIM code	EC000471

#### Caractéristiques électrique

Puissance système (W)	50
Tension (Vac)	230
Fréquence (Hz)	50/60
Dimmable	non
Flicker free	oui
Power factor	
Câble de connexion	
Driver output (V)	45
Driver output (mA)	
Classe d'isolation	I
Classe d'énergie	

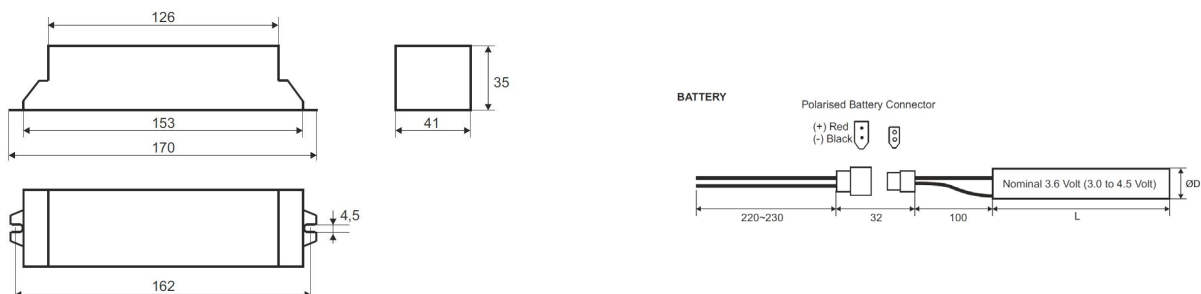
#### Dimensions et caractéristiques du matériau

Dimensions (LxlxH)	169x41x35mm
Poids (kg)	0,474
Temp. de travail (°C)	0~+45
Valeur IP	IP20
Nombre en vrac	12
Nombre sur palette	
Quantité minimum	1
Article en stock	oui

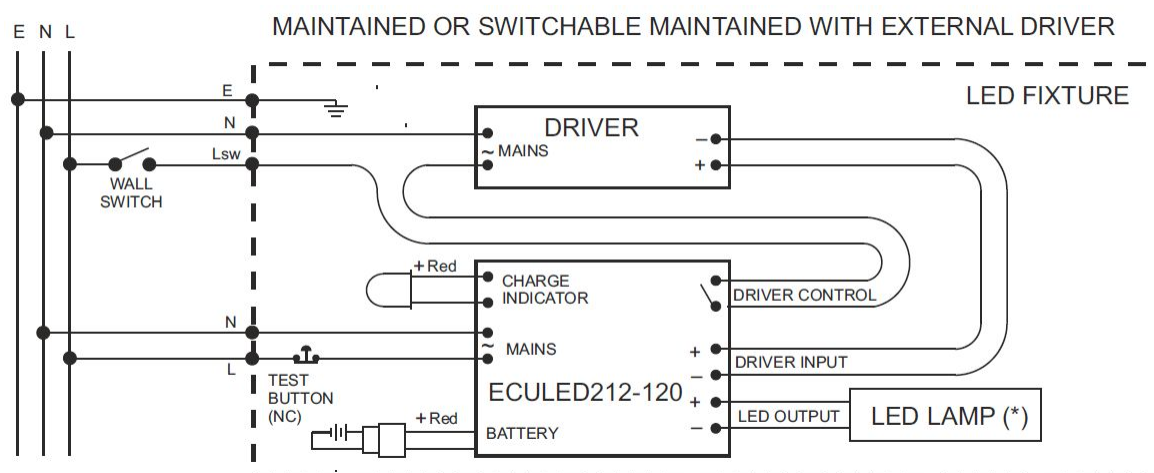
#### Garantie et certification

Durée de vie (h)	
Garantie (jaar)	2
ENEC	no

### Dimensions:



### Schéma de câblage:



# MANUAL OF ECULED212 MODEL EMERGENCY LIGHTING CONVERSION KITS FOR LED LAMPS

---

**WARNING!** It is important that these instructions are read thoroughly before any installation work commences. They must also be retained on file to provide information on use and maintenance by end-user. All installation work must be carried out by a suitable qualified person and must comply with the instructions and all other relevant regulations. Before any intervention to the unit, make sure that the mains voltage is disconnected.

## INSTRUCTIONS

The environmental temperature and humidity conditions of the luminaire where the unit will be mounted in should be suitable to the below indicated specifications. To achieve optimum performance, the unit and the battery pack should be placed enough distant from the lamp and driver inside the luminaire and they should be kept at a max ambient temperature below 50°C. The cable lengths are recommended max 100 cm. Do not make longer the battery cable. First install the module and battery pack. Connect the LED lamp, driver and the charging indicator. Connect the battery socket. Connect the mains.

**WARNING !** The unswitched line and the switched line should be on the same phase. For the complete charge of the battery, the unit should be left on charge for a minimum period of 24 hours.

## OPERATING INSTRUCTIONS

The battery automatically charges through the unswitched line of the luminaire and the green charging indicator LED lamp is lit. At that time the LED lamp could be turned ON/OFF through the wall switch connected to the driver circuit driven by the switched line. When the mains goes out, the unit will automatically remove the power supply of the switched line and energise the LED lamp (at the emergency lighting level) through the battery and not depending on the wall switch position. When the mains is recovered, the luminaire will be energised by the switched line through the wall switch and the battery will start the charge.

## TEST INSTRUCTIONS

**Function Test :** This is a practical test to check shortly the function of the unit. While the test button is pressed the luminaire will run at emergency mode. The Function Test has to be carried out once in a month by pressing the test button or removing the mains line fuses.

**Duration Test :** The mains power of the luminaire has to be disconnected once at every 12 months and the Duration Test has to be carried out to check battery backup duration. Before starting the Duration Test the unit should be left on charge for a minimum period of 24 hours. If the backup does not extend to the declared duration, the battery packs have to be replaced. The replaced batteries have to be returned to the manufacturer or to be left at the special waste containers for recycling.

**WARNING !** Do not dismantle any part of the unit, do not drill or bore. It does not contain any parts repairable by the installer or user. Any of those kind of unauthorized interventions will cancel the warranty conditions.

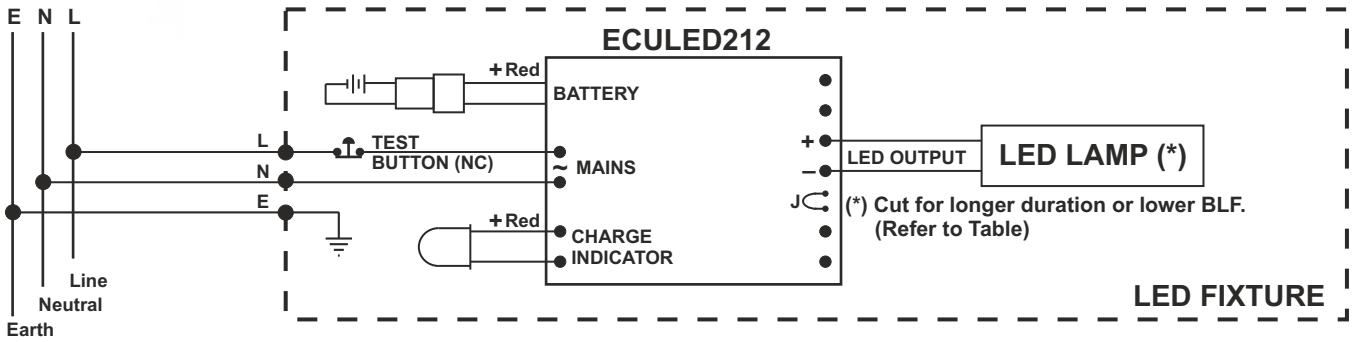
---

## TECHNICAL SPECIFICATIONS

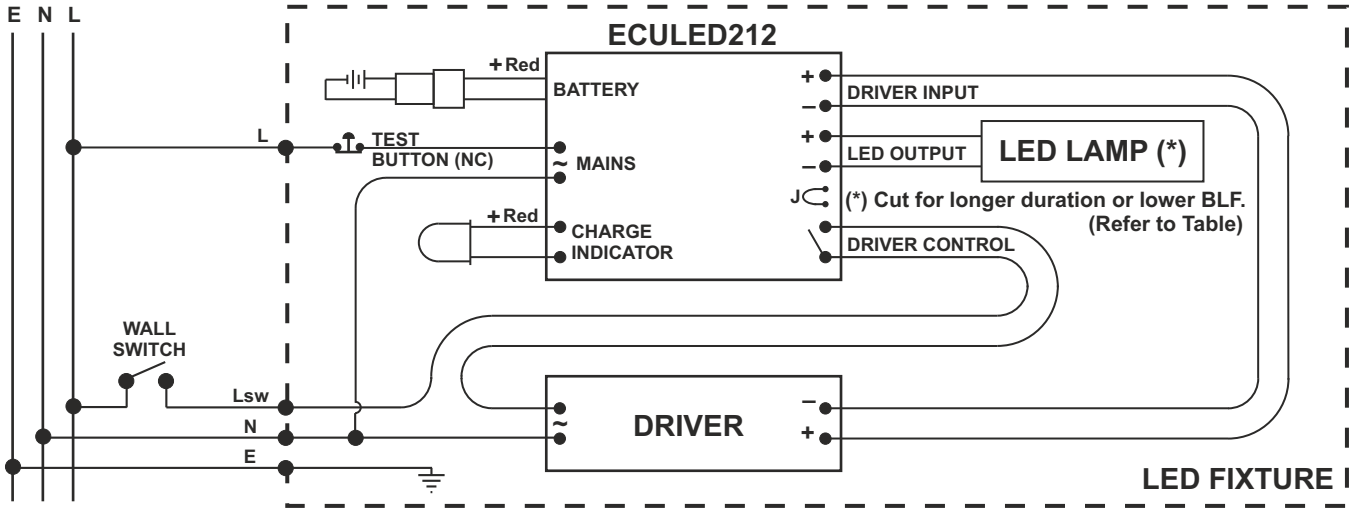
Mains Supply	: 230 Volt, 50/60Hz, 0.02A max, 2.4VA max
Battery	: High Temperature type Ni-Cd Battery Pack with polarised connector, nominal 3.6 Volt (3.0-4.5 Volt), 1.7Ah for 1 hour, 3.5Ah for 3 hours operation
Lamp	: 1 to 12 serial connected Power LED (min 350mA/1W type)
Emergency Duration	: 1 or 3 hours
Operating Mode	: Non-maintained, maintained or switchable maintained with external driver.
Charger	: Current controlled charger. The ballast is suitable for use only on battery supply not having a trickle or intermittent re-charging circuits. The charger will charge the battery normally after the test of EN 61347-2-7 Standard, Part 22.3.
Charge Indicator	: Ø5mm green LED lamp with panel type holder (55~60cm)
Battery Protection	: Over charge & deep discharge protection. The ballast is not proof against supply voltage polarity reversal but have a polarised battery connector.
Output Protection	: Open circuit, short circuit & overload protection
Max Output Voltage	: Max Vout = 45V DC, Open Circuit Voltage 50 V DC
Terminals	: 45° entry, quick fit terminal block for 0.2-0.75mm <sup>2</sup> cross section conductors
Temperature	: Ambient Temperature ta: 0-45°C, max Case Temperature tc: 90°C
Class	: Class II, no earth wiring required
Insulation	: Basic insulation
Humidity (RH%)	: 20 - 90% RH
Protection Class	: IP20
Construction	: White polycarbonate (Flame rating UL94-V2)
Standards	: EN61347-1, EN61347-2-7

# WIRING DIAGRAMS

## NON-MAINTAINED

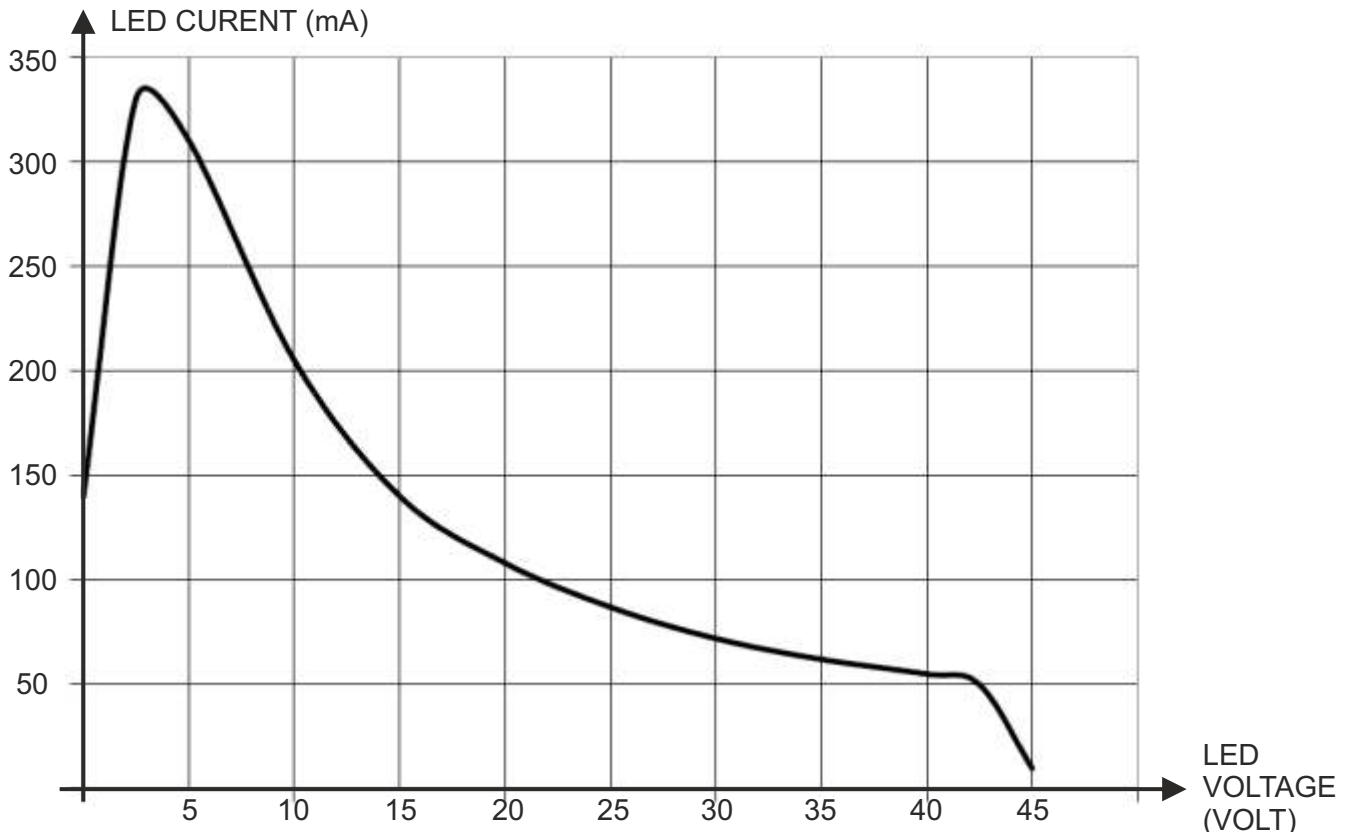


## MAINTAINED OR SWITCHABLE MAINTAINED WITH EXTERNAL DRIVER



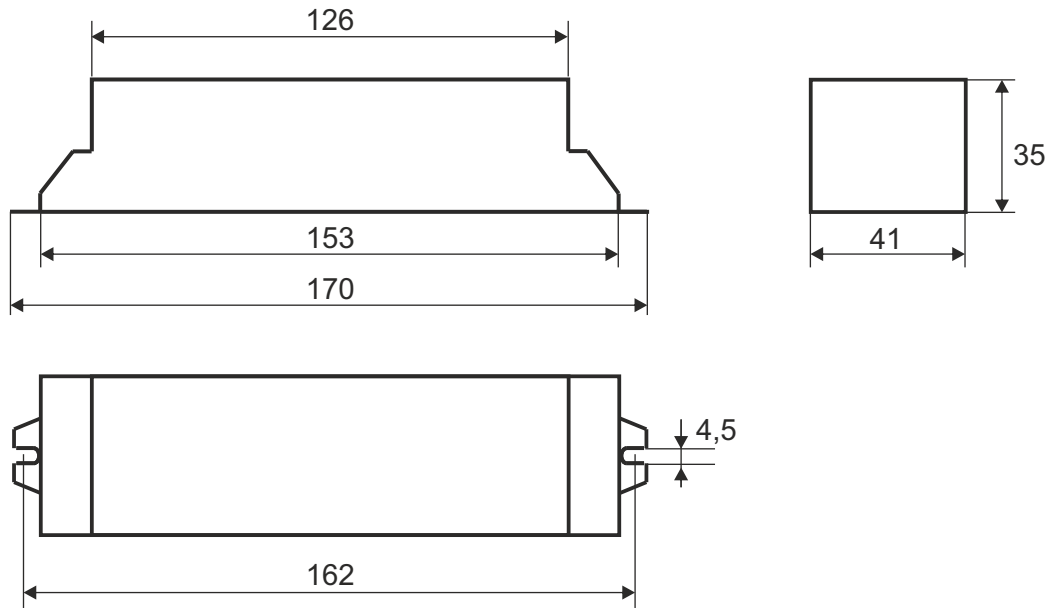
(\*) LED LAMP : Serial connected Power LED(s) (refer to table)

**Ballast Lumen Factor (BLF) = Emergency Ballast Lumen Factor (EBLF):** It is a min ratio of the emergency luminous flux of the LED LAMP supplied by ECULED212, to the luminous flux of the same LED LAMP operated with the reference driver. Different LED LAMPS BLF could be find easily by related LEDs "Relative Luminous Intensity / Forward Current" curve and the LED Current data. (refer below)



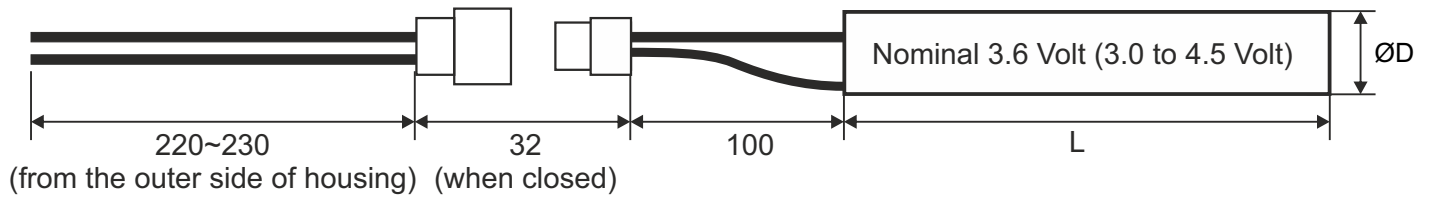
## DIMENSIONS (mm)

### MODULE



### BATTERY

#### Polarised Battery Connector



#### SPECIFICATIONS

	ECULED212-1H (1 hour)	ECULED212-3H (3 hours)
Battery Type	Ni-Cd, 3.6 Volt, 1.7Ah, SC size	Ni-Cd, 3.6 Volt, 3.5Ah, C Size
Temperature Rating	High Temp type, T50°C	High Temp type, T50°C
Dimensions	$\varnothing D$ :23mm, L:130mm	$\varnothing D$ :26mm, L:180mm
Charge Voltage Limits	3.0 - 4.5 Volt DC	3.0 - 4.5 Volt DC
Max Charge Current	135mA	280mA
Min Charge Current	45mA	85mA
Discharge Voltage Limits	3.0 - 4.5 Volt DC	3.0 - 4.5 Volt DC
Max Discharge Current	875mA	875mA
Min Discharge Current	18mA	18mA

### BATTERY MOUNTING PART

The battery pack could be mounted into the lighting fixture directly by cable ties or by mounting parts.

