

Description:

Brightmaster 2 75W 4000K asym 130x60 grey



Industrial floodlight Brightmaster 2 with asymmetric 130x60° lens. Gray aluminum IP65 housing for even better cooling. Interpon coating for corrosive environments. Directional LED modules with Lumileds 3030/5050 and a Meanwell HLG driver. ENEC certification. Equipped with junction box and 1.3m cable H05RN-F.

Technical specifications

Referentie	BM2-754ASGR
EAN code	5420076262204
ETIM code	EC001744

Electrical specifications

System power (W)	78
LED power (W)	71
Input voltage (Vac)	100-240
Frequency (Hz)	50/60
Driver included	yes
Driver intern/extern	intern
Dimmable	nee
Flicker free	yes
Power factor	0,95
Connection cable	1,3m H05RN-F
Driver output (V)	107
Driver output (mA)	700
Isolation class	I
Energy class	A+
N° circ. breaker 16A C	11
N° circ. breaker 16A D	2323
Inrush current	50A

Warranty and certification

Lifetime (h)	50.000 L80B20
Warranty (years)	5 (excluding batteries)
ENEC	yes

Photometric specifications

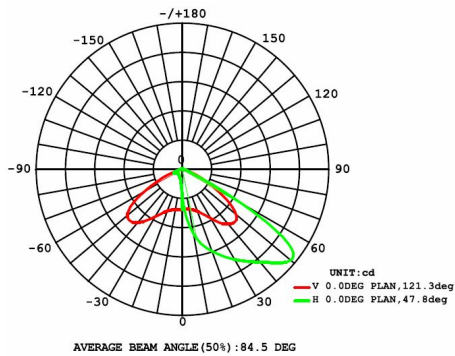
Light angle (°)	130x60
Color temperature (K)	4000
CRI	>80
UGR	30
SDCM	3
Lumen output (Lm)	9550
Lm/W	127
Flux code	
Ledchip	LUMILEDS 5050
Led manufacturer	Lumileds
N° of LEDs	20
Photobiological class	RG1

Dimensions and material properties

Dimensions (LxBxH)	328x175x214mm
Weight (kg)	3,2
Color	grey
Working temp. (°C)	-20~+50
IP value	IP65
IK value	IK10
UV resistant	yes
Seawater resistant	no
UL94	
N° in masterbox	4
N° on pallet	
MOQ	1
Stock item	no

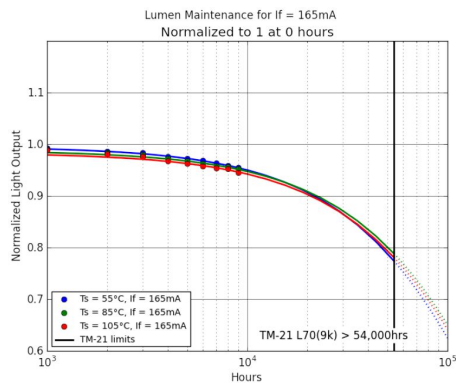
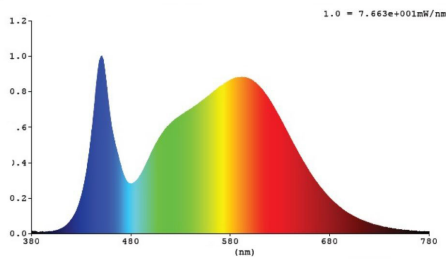
Lumen distribution

Distance curve:



Spectrum distribution

Lumendrop

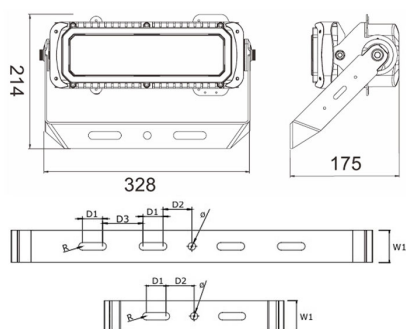


Accessories

IP68-connect	Connection kit 3p IP68 2,5mm ² male-female
BM3-FP1	Valbeveiliging BM2/BM3 1x 2mm 75-300W
FL-POLE	Support for pole 60mm for floodlight Evolve
FL-POLE-CLAMP	Support for pole 60mm for floodlight Evolve



Dimensions



Unit: mm

power	H1	H2	L1	L2	D1	D2	D3	W1	R	φ
75W	320	130	85	225	40	48	/	55	6,5	13
150W	320	215	85	275	40	48	/	55	6,5	13
230W	320	324	85	275	40	48	/	55	6,5	13
300W	320	433	85	330	40	48	/	55	6,5	13
450W	628	324	85	275	40	50	60	55	6,5	13
600W	628	433	85	275	40	50	60	55	6,5	13
900W	628	690	85	390	40	50	60	55	6,5	13
1200W	628	910	85	390	40	50	60	55	6,5	13

Connection diagram

