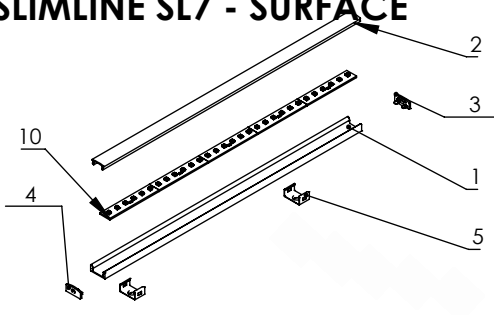


Instruction for mounting

SLIMLINE SL7 - SURFACE

Nr	Code	Comments	Quantity
1	LP-AL-SL7-M2 (K2)	ALU profile 2m	1
2	Diffuser		
3	LP-EC-SL7-H3	end cap without cable hole	1
4	LP-EC-SL7-H4	end cap with cable hole	1
5	LP-MC-SL7	mounting bracket	2 per 2m
7	LP-LC-SL7	linear connector	1
10	Ledstrip		



1

or use end cap with cable hole

2 Use thermally conductive tape

3 connect power cable

4

LP-MC-SL7

5

Service: