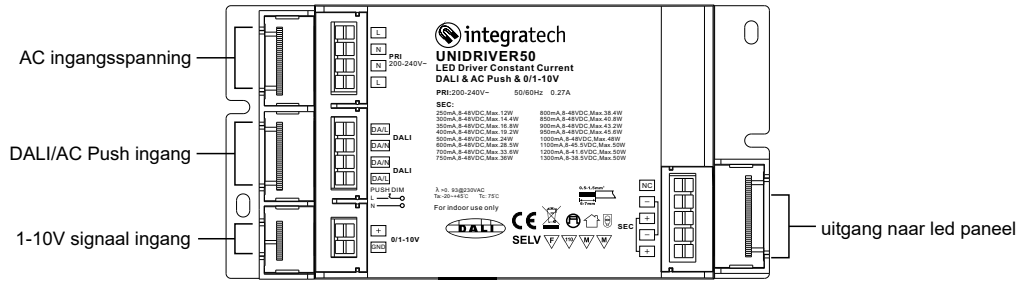


UNIDRIVER50

Belangrijk: Lees aub deze instructies aandachtig alvorens over te gaan tot de installatie.



Dip switch instelling stroomwaarde (fabrieksinstelling driver 900mA = 36W)

I B=J9 FGELE L98 8 F=J9 F VOOR L98 D5 B9 @EN

- Dimbare LED driver met DALI & AC Push & 1-10V dim interface
- Uitgang 1 kanaal constant current max. uitgangsvermogen 50W
- Uitgangsstroom regelbaar tussen 250mA-1300mA met DIP switch
- Geschikt voor de bediening van mono-color toepassingen
- Klasse C driver, volledig geïsoleerde behuizing in kunststof
- Hoge efficiëntie en power factor
- Voldoet aan IEC 62386-101, IEC 62386-102, IEC 62386-207
- Compatibel met universele DALI masters die DT6 ondersteunen
- Compatibel met universele 1-10V dimmers
- Beschermingsgraad IP20, enkel geschikt voor indoor toepassingen

!! Steeds de spanning uitschakelen bij aanpassen dip switches !!

Instellingen voor Integrattech QT/QTU panelen

30W:750mA
36W:900mA

Instellingen voor Integrattech MANGA/MANGA U panelen

30W : 750mA
36W : 900mA (standaard instelling)
40W : 1000mA
50W : 1200mA

Aansluitbereik schroefloze connectoren: 0,75~2,5 mm²

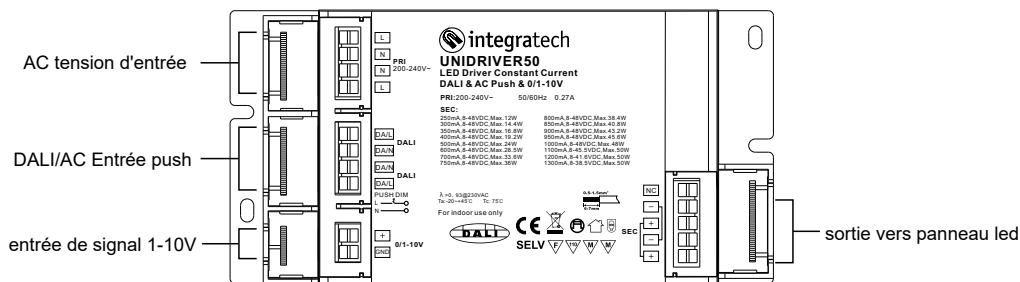
Product Data

Output	LED output	1							
	Selectable Current	250mA	300mA	350mA	400mA	500mA	600mA	700mA	750mA
	DC Voltage Range	8-48V	8-48V	8-48V	8-48V	8-48V	8-48V	8-48V	8-48V
	Selectable Current	800mA	850mA	900mA	950mA	1000mA	1100mA	1200mA	1300mA
	DC Voltage Range	8-48V	8-48V	8-48V	8-48V	8-48V	8-45V	8-41V	8-38V
	Current Accuracy	± 3%							
Input	Rated Power	50W							
	Voltage Range	200-240V AC							
	Frequency	50/60Hz							
	Power Factor (Typ.)	> 0.9							
	Efficiency (Typ.)	> 87% @ 230VAC							
	Input Current	0.27A @ 230VAC							
Control	Inrush Current (Typ.)	COLD START Max. 2A @ 230VAC							
	Dimming Interface	DALI & AC Push & 1-10V (current draw < 1mA)							
Protection	Dimming Range	1%-100%							
	Short Circuit	Yes, auto recovery after fault removed							
	Over Current	Yes, auto recovery after fault removed							
Others	Over Temperature	Yes, auto recovery after fault removed							

Environment	Working Temp.	-20°C ~ +45°C
	Max. Case Temp.	85°C
	Working Humidity	10% ~ 95% RH non-condensing
	Storage Temp. & Humidity	-40°C ~ +80°C, 10% ~ 95% RH
Safety&EMC	Safety Standards	EN61347-1, EN61347-2-13
	Withstand Voltage	I/P-O/P: 3.75KVAC
	EMC Emission	EN55015, EN61000-3-2, EN61000-3-3
	EMC Immunity	EN61547, EN61000-4-2,3,4,5,6,8,11, surge immunity Line-Line 0.5KV
Others	MTBF	193.6K hrs min. @ 230VAC at full load and 25°C ambient temperature
	Dimension	164.6*83*34.5mm (L*W*H)

UNIDRIVER50

Important: Veuillez lire attentivement ces instructions avant l'installation.



DIP switch: choisissez la valeur du courant (courant par défaut 900mA = 36W)

DRIVER UNIVERSEL POUR PANNEAUX LED

- Driver dimmable LED DALI & AC Push & 1-10V dim
- Sortie: 1 canal courant constant puissance max. 50W
- Courant de sortie réglable entre 250mA-1300mA avec DIP switch
- Convient pour applications mono-couleur
- Driver Classe Q boîtier en plastique entièrement isolé
- Haute efficacité et facteur de puissance
- Conforme IEC 62386-101, IEC 62386-102, IEC 62386-207
- Compatible avec maîtres DALI universels DT6
- Compatible avec variateurs universels 1-10V
- Degré de protection IP20, convient pour applications intérieures

!! Toujours couper la tension lors du réglage des commutateurs DIP !!

Paramètres pour panneaux LED Integrattech QT/QTU

30W:750mA
36W:900mA

Paramètres pour panneaux LED Integrattech MANGA/MANGA U

30W : 750mA
36W : 900mA (réglage par défaut)
40W : 1000mA
50W : 1200mA

Plage de connexion connecteurs sans vis: 0,75~2,5 mm²

Product Data

Output	LED output	1							
	Selectable Current	250mA	300mA	350mA	400mA	500mA	600mA	700mA	750mA
	DC Voltage Range	8-48V	8-48V	8-48V	8-48V	8-48V	8-48V	8-48V	8-48V
	Selectable Current	800mA	850mA	900mA	950mA	1000mA	1100mA	1200mA	1300mA
	DC Voltage Range	8-48V	8-48V	8-48V	8-48V	8-48V	8-45V	8-41V	8-38V
	Current Accuracy	± 3%							
Input	Rated Power	50W							
	Voltage Range	200-240V AC							
	Frequency	50/60Hz							
	Power Factor (Typ.)	> 0.9							
	Efficiency (Typ.)	> 87% @ 230VAC							
	Input Current	0.27A @ 230VAC							
	Inrush Current (Typ.)	COLD START Max. 2A @ 230VAC							
Control	Dimming Interface	DALI & AC Push & 1-10V (current draw < 1mA)							
	Dimming Range	1%-100%							
Protection	Short Circuit	Yes, auto recovery after fault removed							
	Over Current	Yes, auto recovery after fault removed							
	Over Temperature	Yes, auto recovery after fault removed							

Environment	Working Temp.	-20°C ~ +45°C
	Max. Case Temp.	85°C
	Working Humidity	10% ~ 95% RH non-condensing
	Storage Temp. & Humidity	-40°C ~ +80°C, 10% ~ 95% RH
Safety&EMC	Safety Standards	EN61347-1, EN61347-2-13
	Withstand Voltage	I/P-O/P: 3.75KVAC
	EMC Emission	EN55015, EN61000-3-2, EN61000-3-3
	EMC Immunity	EN61547, EN61000-4-2,3,4,5,6,8,11, surge immunity Line-Line 0.5KV
Others	MTBF	193.6K hrs min. @ 230VAC at full load and 25°C ambient temperature
	Dimension	164.6*83*34.5mm (L*W*H)

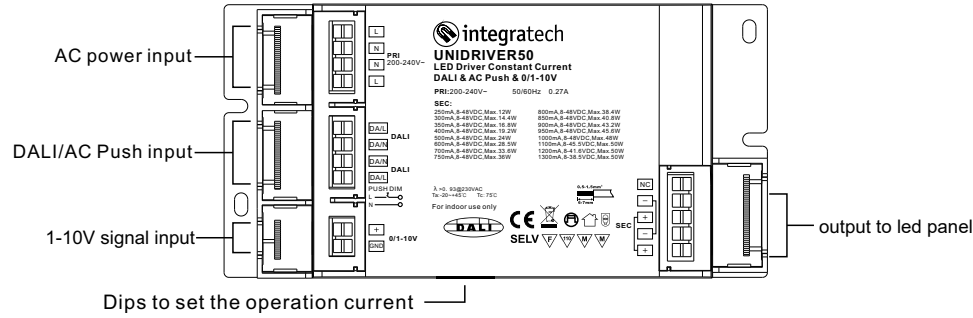


less energy, more light



UNIDRIVER50

Important: Read All Instructions Prior to Installation
Function introduction



I B=J 9 F G 5 @ @ 8 8 F =J 9 F : C F @ 8 D 5 B 9 @ G

- Dimmable LED driver with DALI & AC Push & 1-10V dimming interfaces
- 1 channel constant current output, max. output power 50W
- Output current 250mA-1300mA selectable by DIP switch
- Enables to control single color LED lighting
- Class **Q** power supply, full isolated plastic case
- High power factor and efficiency
- Complies to IEC 62386-101, IEC 62386-102, IEC 62386-207
- Compatible with universal DALI masters that support DT6 commands
- Compatible with universal 1-10V dimmers
- IP20 rating, suitable for indoor LED lighting applications

!! Always switch off the power before changing the dip switches !!

Settings for Integrattech QT panel series

30W:750mA
 36W:900mA

Settings for Integrattech MANGA panel series

30W : 750mA
 36W : 900mA
 40W : 1000mA
 50W : 1200mA

Toolless connection range: 0,75~2,5 mm²

Product Data

Output	LED output	1							
	Selectable Current	250mA	300mA	350mA	400mA	500mA	600mA	700mA	750mA
	DC Voltage Range	8-48V	8-48V	8-48V	8-48V	8-48V	8-48V	8-48V	8-48V
	Selectable Current	800mA	850mA	900mA	950mA	1000mA	1100mA	1200mA	1300mA
	DC Voltage Range	8-48V	8-48V	8-48V	8-48V	8-48V	8-45V	8-41V	8-38V
Current Accuracy	±3%								
Rated Power	50W								
Input	Voltage Range	200-240V AC							
	Frequency	50/60Hz							
	Power Factor (Typ.)	>0.9							
	Efficiency (Typ.)	> 87% @ 230VAC							
	Input Current	0.27A @ 230VAC							
Inrush Current (Typ.)	COLD START Max. 2A @ 230VAC								
Control	Dimming Interface	DALI & AC Push & 1-10V (current draw <1mA)							
	Dimming Range	1%-100%							
Protection	Short Circuit	Yes, auto recovery after fault removed							
	Over Current	Yes, auto recovery after fault removed							
	Over Temperature	Yes, auto recovery after fault removed							

Environment	Working Temp.	-20°C ~ +45°C
	Max. Case Temp.	85°C
	Working Humidity	10% ~ 95% RH non-condensing
	Storage Temp. & Humidity	-40°C ~ +80°C, 10% ~ 95% RH
Safety&EMC	Safety Standards	EN61347-1, EN61347-2-13
	Withstand Voltage	I/P-O/P: 3.75KVAC
	EMC Emission	EN55015, EN61000-3-2, EN61000-3-3
	EMC Immunity	EN61547, EN61000-4-2,3,4,5,6,8,11, surge immunity Line-Line 0.5KV
Others	MTBF	193.6K hrs min.@ 230VAC at full load and 25°C ambient temperature
	Dimension	164.6*83*34.5mm (L*W*H)

