



## Werking

### 1. Selectie dim interface

- 1.1. De LED driver ondersteund 4 dim mogelijkheden: DALI, Druknop, 1-10V, TRIAC.
- 1.2. Voer de gewenste bedrading uit volgens afgebeeld schema hiernaast.
- 1.3. Bij gebruik van een andere dim methode steeds de bestaande bedrading verwijderen.
- 1.4. Gebruik nooit meer dan twee dim methodes tegelijk.

### 2. DALI adres toegewezen door DALI Masters

Wanneer aangesloten op een DALI bus wordt er één DALI adres automatisch toegewezen aan de driver. Raadpleeg de handleiding van de DALI master voor specifieke opties.

### 3. Druknop mode

Bij gebruik van een drukknoop gaat de driver automatisch in drukknoop modus.

Werking drukknoop modus:

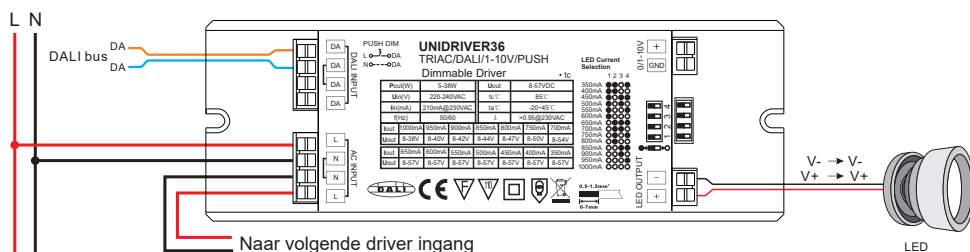
- 3.1. Druk kort op de drukknoop voor in- of uitschakelen.
- 3.2. Druk lang om naar 1 of 100% te dimmen.
- 3.3. De driver is uitgerust met een geheugen functie. Bij opnieuw inschakelen keert de driver terug naar de laatste instelling. Ook bij onderbreking van de spanning.

### 4. TRIAC dim modus

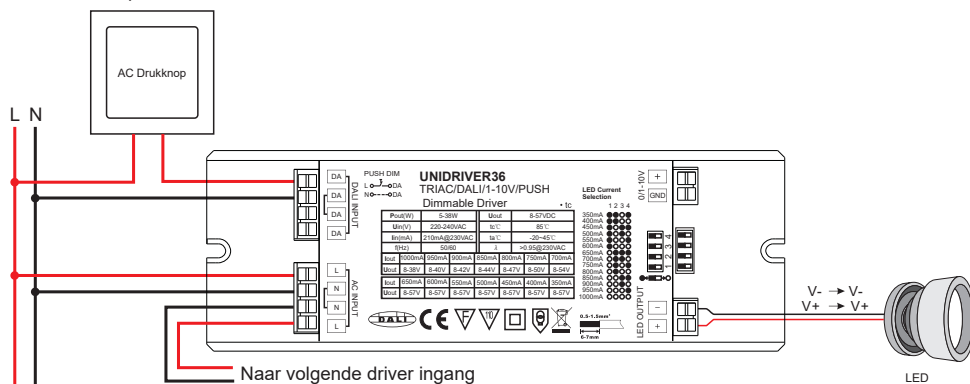
Wanneer er gedimd wordt via een TRIAC dimmer is het mogelijk dat deze niet tot 1% kan dimmen, dit is afhankelijk van het merk en type dimmer. Zorg er voor dat er gekozen wordt voor een dimmer die tot 1% kan dimmen indien dit gewenst is.

## Aansluitschema

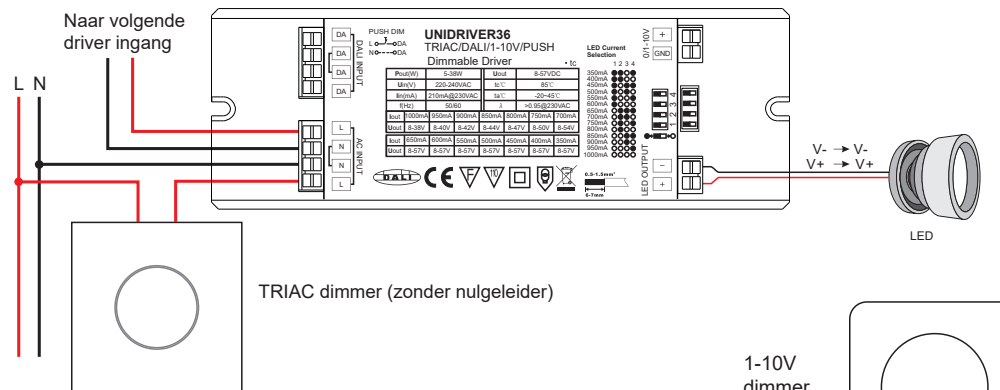
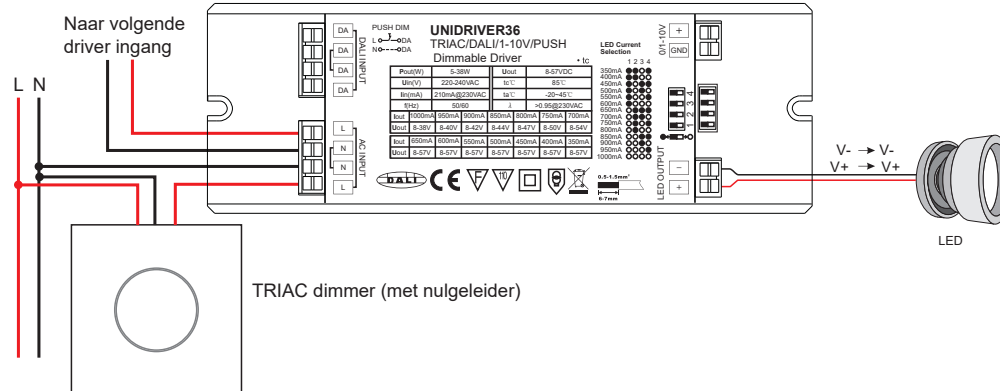
### 1. DALI bus



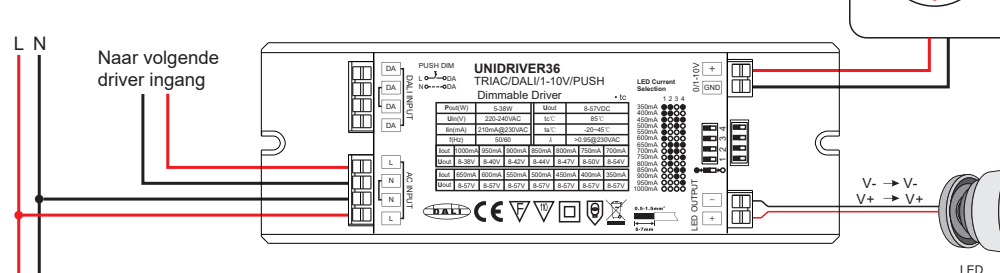
### 2. Met drukknoop



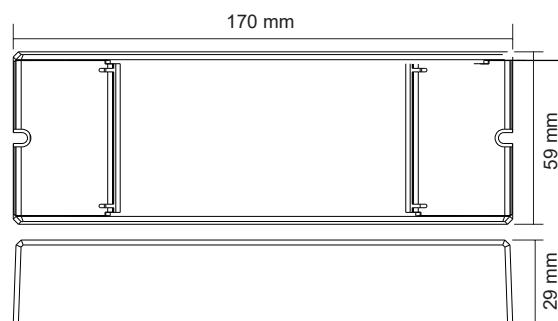
### 3. Met TRIAC dimmer



### 4. Met 1-10V dimmer

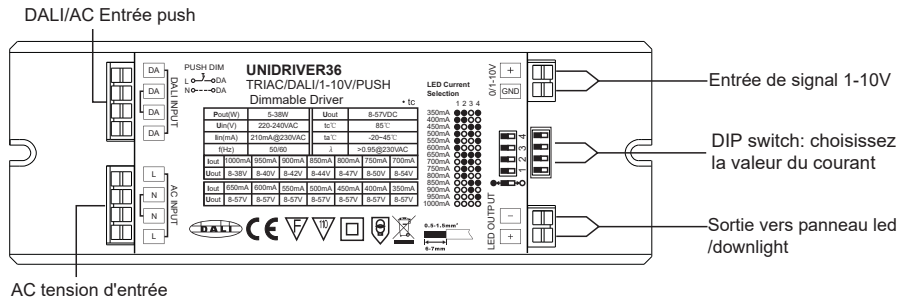


## Product afmetingen



# UNIDRIVER36

**Important:** Veuillez lire attentivement ces instructions avant l'installation.



- IEC 62386-101:2014, IEC 62386-102:2014, IEC 62386-207 Ed2.
- Built-in DALI-2 interface, DALI DT6 device
- 1 channel constant current output, max. output power 38W
- Output current 350-1000mA selectable by DIP switch
- Enables to control single color LED lighting
- Class II power supply, full isolated plastic case
- High power factor and efficiency
- Compatible with universal DALI masters that support DT6 commands
- Compatible with universal Triac dimmers
- Compatible with universal 0/1-10V dimmers
- Amplitude dimming (PWM dimming under 10%), deep and smooth dimming to 0.1%, flicker free
- IP20 rating, suitable for indoor LED lighting applications
- 5 years warranty

Dips to set the operation current



1 2 3 4	1 2 3 4	1 2 3 4	1 2 3 4
350mA ●●●●	550mA ●○○●	750mA ○●●●	950mA ○○○●
400mA ●●○●	600mA ●○○○	800mA ○●○●	1000mA ○○○○
450mA ●○●●	650mA ○●●●	850mA ○○●●	
500mA ●○●○	700mA ○●●○	900mA ○○●○	

**!! Always switch off the power before changing the dip switches !!**

**Settings for Integrattech QT/QTU/BRIGHT panel series**  
 30W:750mA  
 36W:900mA

**Settings for Integrattech MANGA U panel series**  
 30W : 750mA  
 36W : 900mA  
 40W : 1000mA

Toolless connection range: 0,75~2,5 mm²

## Product Data

Output	LED Channel	1						
	Selectable Current	350mA	400mA	450mA	500mA	550mA	600mA	650mA
	DC Voltage Range	8-57V	8-57V	8-57V	8-57V	8-57V	8-57V	8-57V
	Selectable Current	700mA	750mA	800mA	850mA	900mA	950mA	1000mA
	DC Voltage Range	8-54V	8-50V	8-47V	8-44V	8-42V	8-40V	8-38V
	Current Accuracy	±3%						
	Rated Power	5-38W						
Input	Voltage Range	220-240V AC						
	Frequency	50/60Hz						
	Power Factor (Typ.)	> 0.95						
	Efficiency (Typ.)	> 85% @ 230VAC						
	Input Current	210mA @ 230VAC						
Control	Inrush Current (Typ.)	COLD START Max. 2A @ 230VAC						
	Dimming Interface	DALI (DALI consumption<2mA)/Push+Triac+0/1-10V						
	Dimming Range	0.1%-100%						
Protection	Dimming Method	Amplitude dimming (PWM dimming under 10%)						
	Short Circuit	Yes, auto recovery after fault removed						
	Over Current	Yes, auto recovery after fault removed						
	Over Temperature	Yes, auto recovery after fault removed						

Environment	Working Temp.	-20°C ~ +45°C
	Max. Case Temp.	85°C (Ta=45°C)
	Working Humidity	10% ~ 95% RH non-condensing
	Storage Temp. & Humidity	-40°C ~ +80°C, 10% ~ 95% RH
Safety&EMC	Safety Standards	EN61347-1, EN61347-2-13
	Withstand Voltage	I/P-O/P: 3.75KVAC
	EMC Emission	EN55015, EN61000-3-2, EN61000-3-3
	EMC Immunity	EN61547, EN61000-4-2,3,4,5,6,8,11, surge immunity Line-Line 1KV
Others	MTBF	188600H, MIL-HDBK-217F @ 230VAC at full load and 25°C ambient temperature
	Dimension	170*59*29mm (L*W*H)

## Operation

### 1. Dimming Interface Selection

- 1.1. The LED driver supports 4 kinds of dimming input: DALI, Push, Triac, 0/1-10V.
- 1.2. Please select any of the 4 dimming interfaces to wire each time.
- 1.3. To connect a new dimming interface, previously connected dimming interface must be disconnected.
- 1.4. DO NOT connect more than 2 (including 2) dimming interfaces simultaneously.

### 2. DALI Address Assigned by DALI Masters

While connected with DALI interface, 1 DALI address can be assigned by DALI Master controller automatically, please refer to user manuals of compatible DALI Masters for specific operations.

### 3. PUSH Dimmer Mode

While connected with a AC PUSH, the driver will be in Push Dimmer Mode, operations under Push Dimmer Mode are as follows:

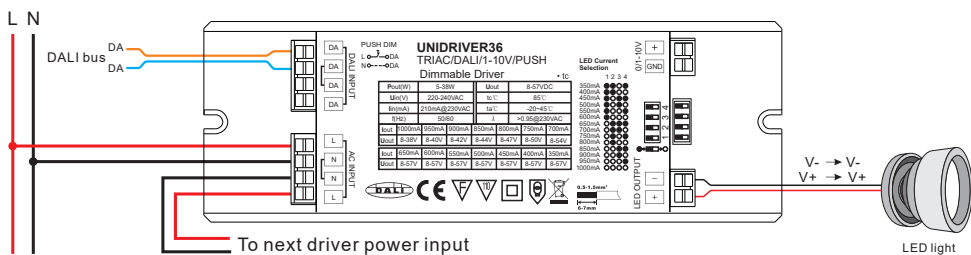
- 3.1. Click the button to switch ON/OFF
- 3.2. Press and hold down the button to increase or decrease light intensity to desired level and release it, then repeat the operation to adjust light intensity to opposite direction. The dimming range is from 1% to 100%.
- 3.3. Memory function after power off or power failure enables the device to memorize the status before power off while power on again.

### 4. Triac Dimming Input

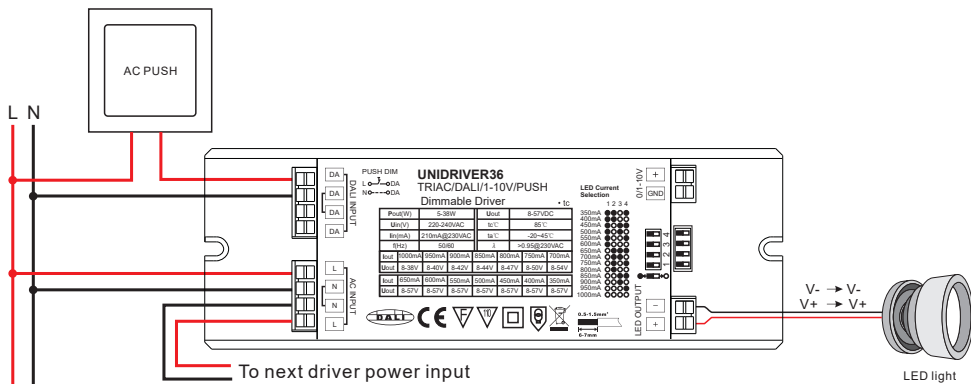
While connected with a Triac dimmer, different Triac dimmers from different suppliers may have different minimum dimming levels which the driver can not be dimmed below. To dim to 1%, please make sure the dimmer supports 1% minimum dimming level.

## Wiring Diagram

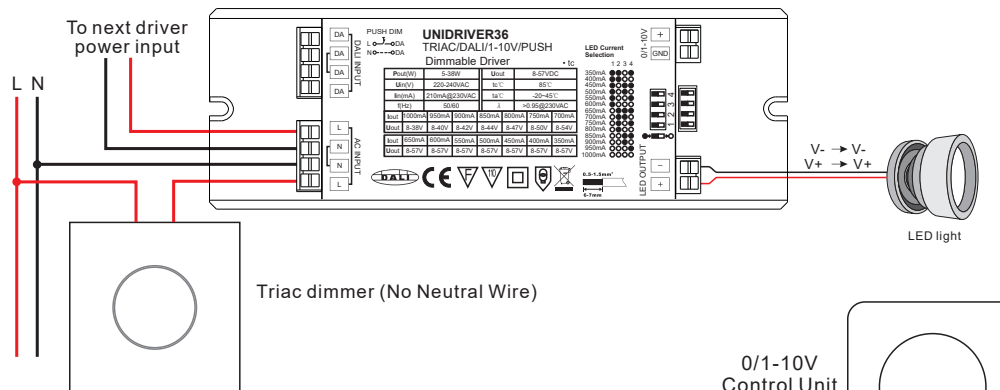
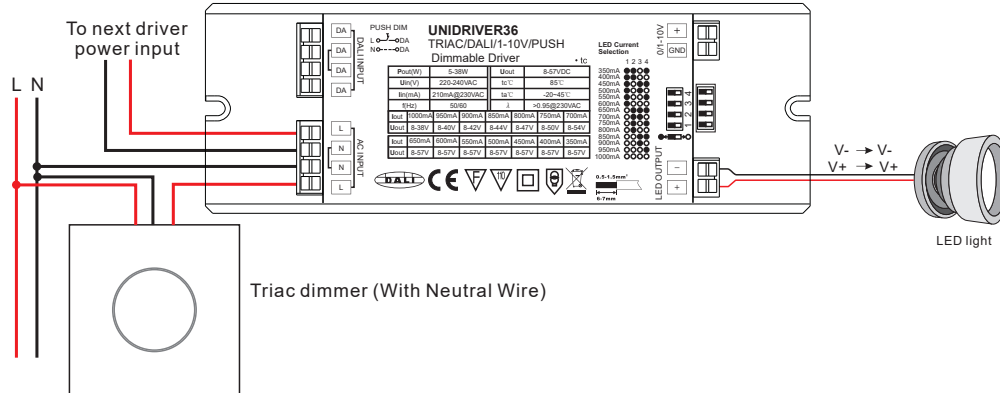
### 1. With DALI bus



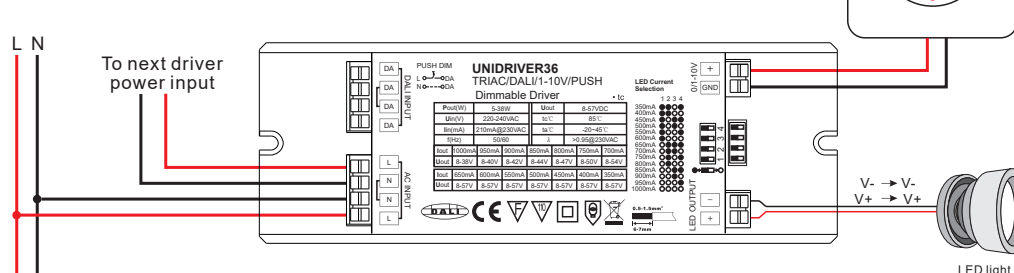
### 2. With PUSH dimmer



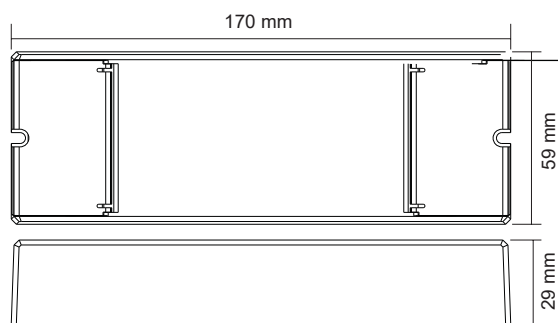
### 3. With Triac dimmer



### 4. With 0/1-10V dimmer

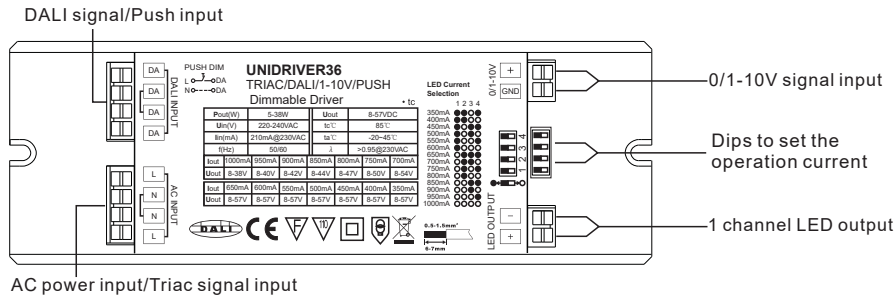


## Product Dimension




# UNIDRIVER36

**Important: Read All Instructions Prior to Installation**  
**Function introduction**



- Dimmable LED driver with DALI/Push/Triac/1-10V dimming interfaces
- In compliance with IEC 62386-101:2014, IEC 62386-102:2014, IEC 62386-207 Ed2.
- Built-in DALI-2 interface, DALI DT6 device
- 1 channel constant current output, max. output power 38W
- Output current 350-1000mA selectable by DIP switch
- Enables to control single color LED lighting
- Class II power supply, full isolated plastic case
- High power factor and efficiency
- Compatible with universal DALI masters that support DT6 commands
- Compatible with universal Triac dimmers
- Compatible with universal 0/1-10V dimmers
- Amplitude dimming (PWM dimming under 10%), deep and smooth dimming to 0.1%, flicker free
- IP20 rating, suitable for indoor LED lighting applications
- 5 years warranty

**Dips to set the operation current**



350mA ●●●●	550mA ●○○●	750mA ○●●●	950mA ○○○●
400mA ●●○○	600mA ●○○○	800mA ○●○○	1000mA ○○○○
450mA ●○○●	650mA ●○○●	850mA ○●○○	
500mA ●○○○	700mA ○●●○	900mA ○○●○	

**!! Always switch off the power before changing the dip switches !!**

**Settings for Integrattech QT/QTU/BRIGHT panel series**  
 30W:750mA  
 36W:900mA

**Settings for Integrattech MANGA U panel series**  
 30W : 750mA  
 36W : 900mA  
 40W : 1000mA

Toolless connection range: 0,75~2,5 mm<sup>2</sup>

## Product Data

Output	LED Channel	1						
	Selectable Current	350mA	400mA	450mA	500mA	550mA	600mA	650mA
	DC Voltage Range	8-57V	8-57V	8-57V	8-57V	8-57V	8-57V	8-57V
	Selectable Current	700mA	750mA	800mA	850mA	900mA	950mA	1000mA
	DC Voltage Range	8-54V	8-50V	8-47V	8-44V	8-42V	8-40V	8-38V
	Current Accuracy	±3%						
	Rated Power	5-38W						
Input	Voltage Range	220-240V AC						
	Frequency	50/60Hz						
	Power Factor (Typ.)	> 0.95						
	Efficiency (Typ.)	> 85% @ 230VAC						
	Input Current	210mA @ 230VAC						
Control	Inrush Current (Typ.)	COLD START Max. 2A @ 230VAC						
	Dimming Interface	DALI (DALI consumption<2mA)/Push+Triac+0/1-10V						
	Dimming Range	0.1%-100%						
Protection	Dimming Method	Amplitude dimming (PWM dimming under 10%)						
	Short Circuit	Yes, auto recovery after fault removed						
	Over Current	Yes, auto recovery after fault removed						
	Over Temperature	Yes, auto recovery after fault removed						

Environment	Working Temp.	-20°C ~ +45°C
	Max. Case Temp.	85°C (Ta=45°C)
	Working Humidity	10% ~ 95% RH non-condensing
	Storage Temp. & Humidity	-40°C ~ +80°C, 10% ~ 95% RH
Safety&EMC	Safety Standards	EN61347-1, EN61347-2-13
	Withstand Voltage	I/P-O/P: 3.75KVAC
	EMC Emission	EN55015, EN61000-3-2, EN61000-3-3
	EMC Immunity	EN61547, EN61000-4-2,3,4,5,6,8,11, surge immunity Line-Line 1KV
Others	MTBF	188600H, MIL-HDBK-217F @ 230VAC at full load and 25°C ambient temperature
	Dimension	170*59*29mm (L*W*H)

## Operation

### 1. Dimming Interface Selection

- 1.1. The LED driver supports 4 kinds of dimming input: DALI, Push, Triac, 0/1-10V.
- 1.2. Please select any of the 4 dimming interfaces to wire each time.
- 1.3. To connect a new dimming interface, previously connected dimming interface must be disconnected.
- 1.4. DO NOT connect more than 2 (including 2) dimming interfaces simultaneously.

### 2. DALI Address Assigned by DALI Masters

While connected with DALI interface, 1 DALI address can be assigned by DALI Master controller automatically, please refer to user manuals of compatible DALI Masters for specific operations.

### 3. PUSH Dimmer Mode

While connected with a AC PUSH, the driver will be in Push Dimmer Mode, operations under Push Dimmer Mode are as follows:

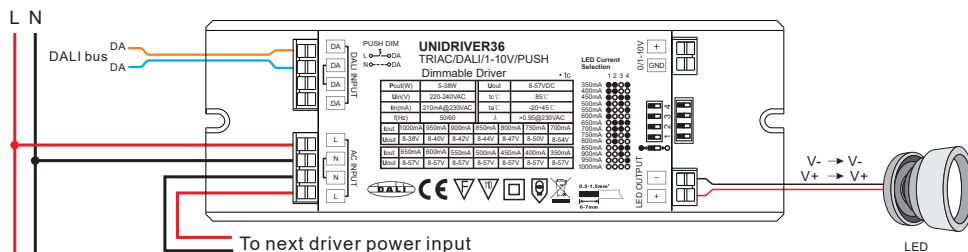
- 3.1. Click the button to switch ON/OFF
- 3.2. Press and hold down the button to increase or decrease light intensity to desired level and release it, then repeat the operation to adjust light intensity to opposite direction. The dimming range is from 1% to 100%.
- 3.3. Memory function after power off or power failure enables the device to memorize the status before power off while power on again.

### 4. Triac Dimming Input

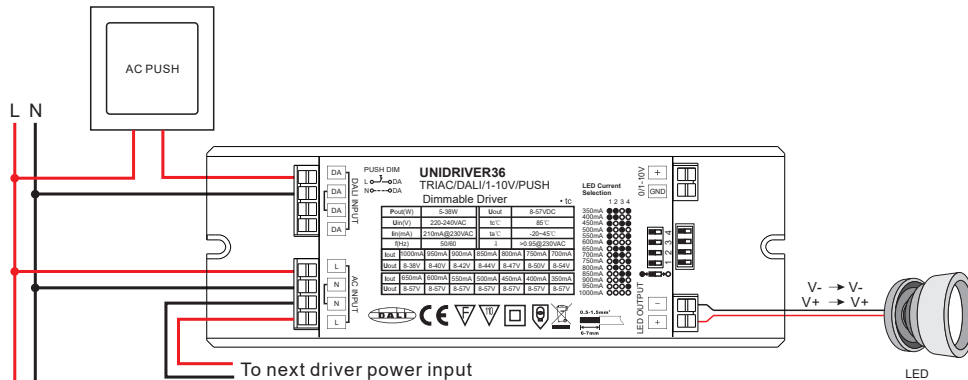
While connected with a Triac dimmer, different Triac dimmers from different suppliers may have different minimum dimming levels which the driver can not be dimmed below. To dim to 1%, please make sure the dimmer supports 1% minimum dimming level.

## Wiring Diagram

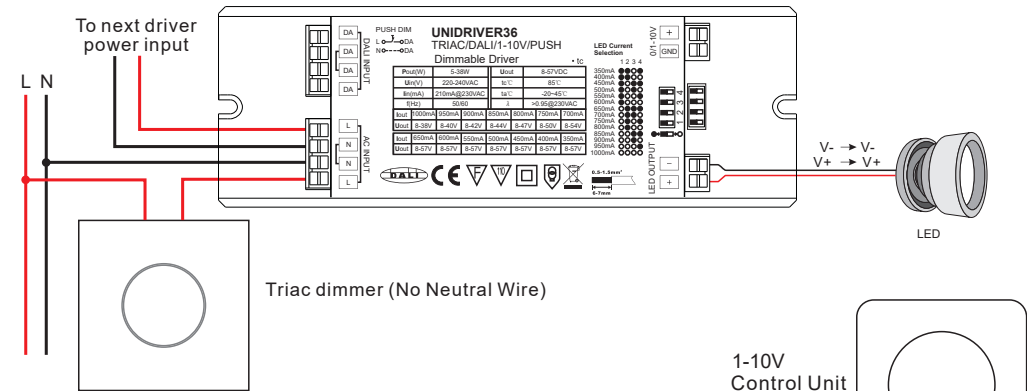
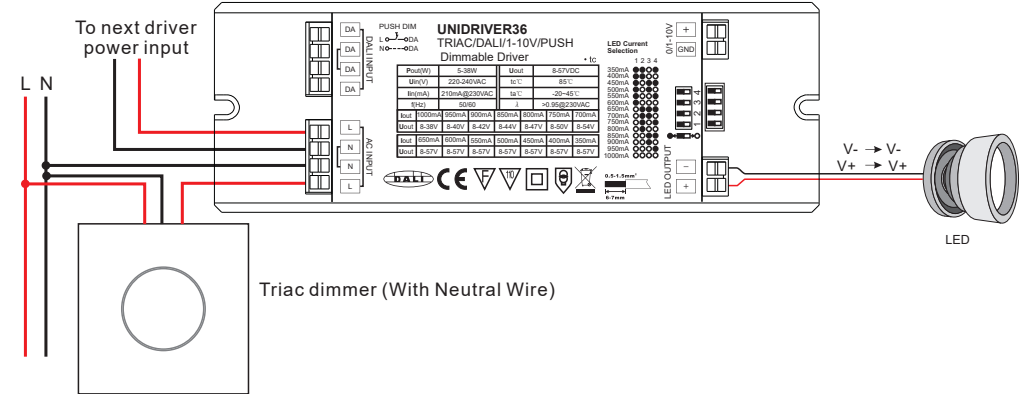
### 1. With DALI bus



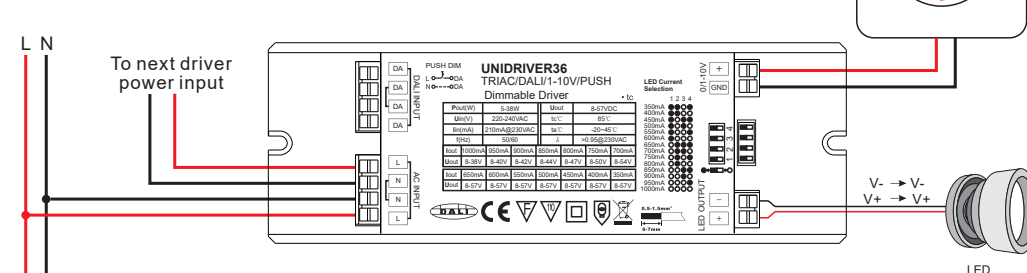
### 2. With PUSH dimmer



### 3. With Triac dimmer



### 4. With 0/1-10V dimmer



## Product Dimension

